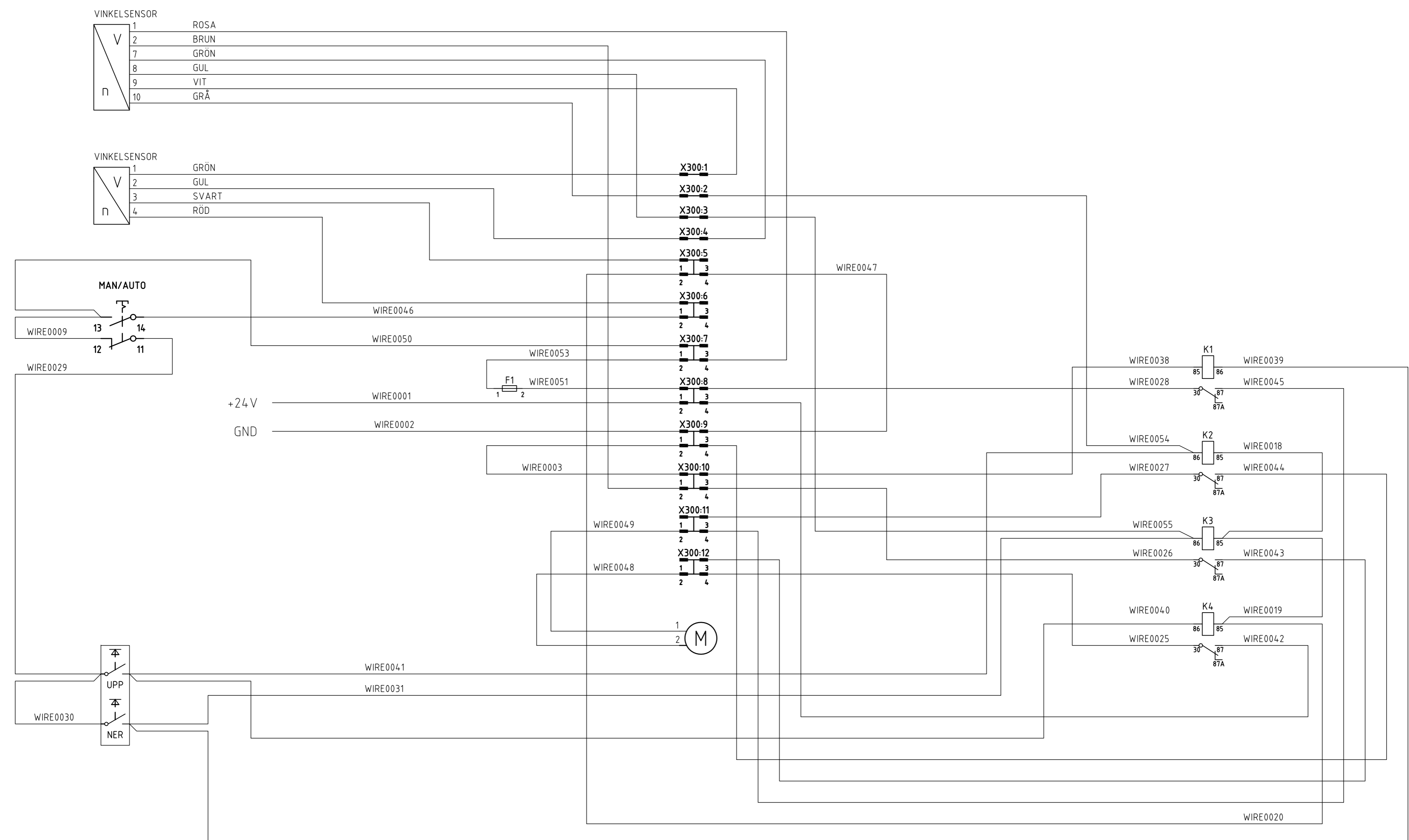
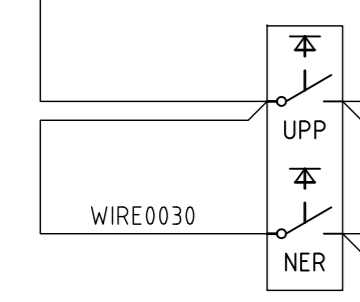
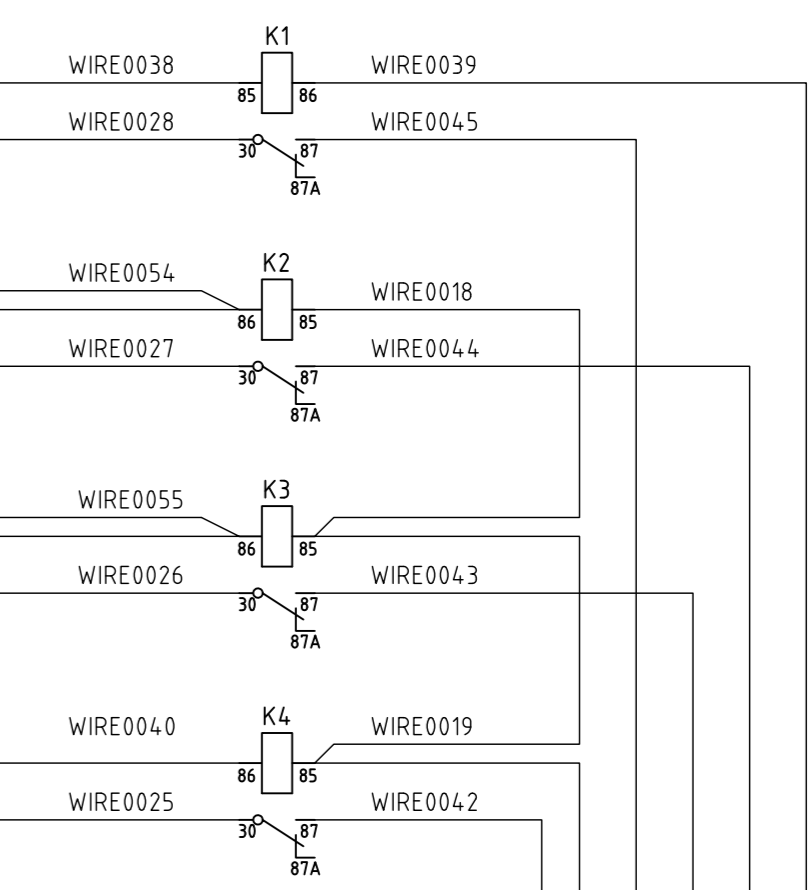
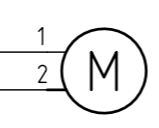
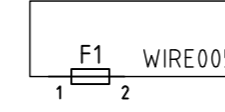


+24 V  
GND



This document is the property of ElectroSystem Technique Sweden AB and must not be copied, repaired to a third party or used for any other purpose without the written approval of ElectroSystem Technique Sweden AB.  
 COPYRIGHT ElectroSystem Technique Sweden AB 2004

Release Level Released

DESIGNER ASI	DRAWN ASI	APPROVED BY FLA	APPROVED DATE 2010-09-27	GENERAL TOLERANCE SS ISO 2768m	DRAWING TYPE DRAFT	FORMAT A2	COMPUTER BASED AutoCAD	PROJECTION METHOD 1st Angle	SCALE -
				TITLE MANÖVERBOX			CUSTOMER REF		
				CUSTOMER HUDDIG AB			DRAWING NO 9100 00001		