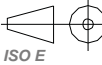
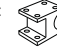

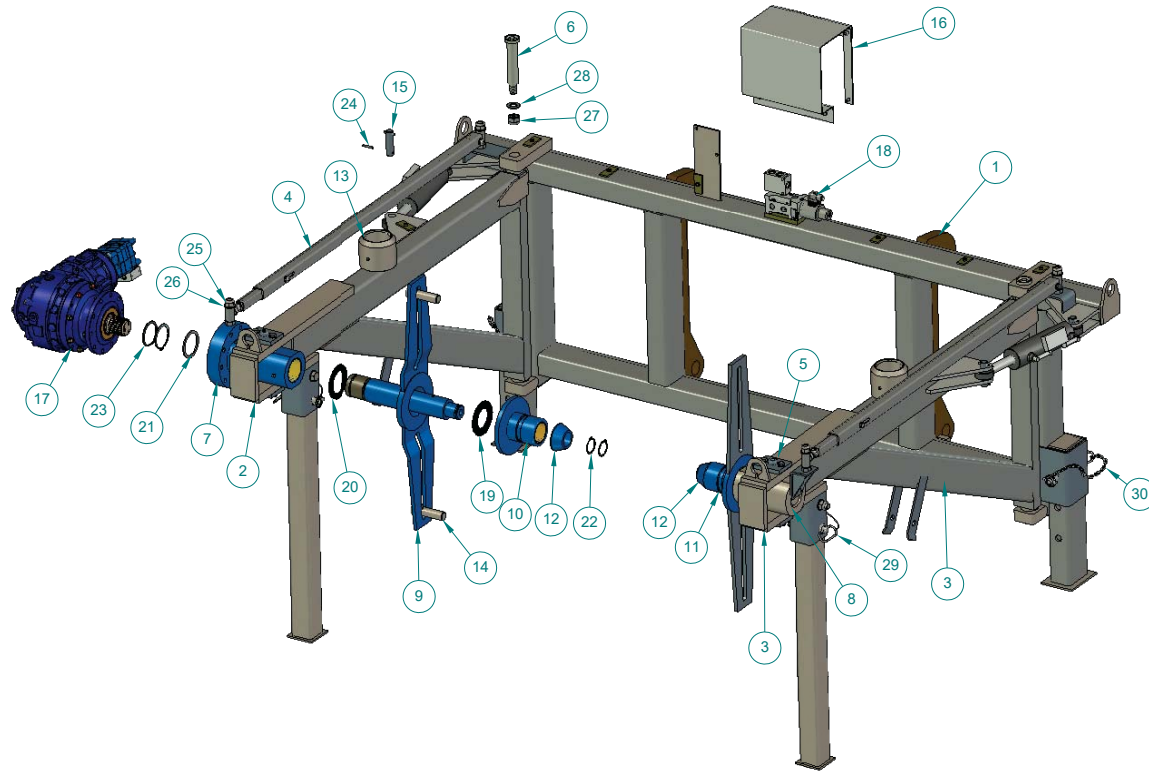


This document and its contents are the exclusive property of Petterssons Smide AB, and may not be copied, reproduced, transmitted or communicated to a third party, or used for any purpose without written permission.

A3  ISO E	Vikt (kg): 749	 General Tolerances acc to: ISO 2768-1 medium	File Name: 35619600.icd		Last saved: 2026-06-16 07:39
	Scale: 1 : 20		Drawn by: LP	Checked by: AP	Approved by: AP
 Hybovägen 8 827 35 LJUSDAL Tel. +46-(0)651-12330 www.petterssonsmide.se			Kabeltrumgrip standard		Sheet No: Rev. 1 (2) ... Doc. No: 35619600



Rev	Pos	Beskrivning	Sign	Datum
30	551026008	2	Dragsprint Ø22 L=162	0,759
29	551039001	2	Dragsprint Ø19 L=98	0,452
28	44607098	4	Planbricka BRB 24	OBEH 0,032
27	44607091	4	Låsmutter LM6M M24	8.8 FZB 0,107
26	44607100	4	Planbricka BRB 20	FZB 0,017
25	44607090	4	Låsmutter LM6M M20	FZB 0,064
24	44607140	8	Fjädrande rörpinne FRP 6x40	0,002
23	SGA 78	2	Spärring SGA 78	Steel for springs 0,031
22	SGA48	4	Segesäkring SGA48	Steel for springs 0,009
21	35619824	1	Bricka Ø95/78x4	S355J2H 0,073
20	35619674	1	Glidlagerring Ø120/81x5 Acetal	Acetal 0,240
19	35619673	2	Glidlagerring Ø120/71x5 Acetal	Acetal 0,257
18		1	Hydraulik	29,632
17	35619701	1	Drivenhet 630 KPM Brevini	68,868
16	35619654	1	Skyddskåpa med stag	2,087
15	35619892	4	Axel cylinderfäste	2142 0,333
14	35619875	2	Låstapp	0,724
13	35619845	2	Kon inre, adapter	4,039
12	35619840	2	Kon yttre	S355 1,016
11	35619852	1	Medbringare/lagerhylsa med drivvinge	12,279
10	35619850	1	Medbringare/lagerhylsa kon	5,578
9	35619825-5	1	Drivaxel komplett	24,524
8	35619855, 60 & 35619651	1	Axel med fästen komplett	26,360
7	35619820	1	Lagerhylsa med fäste vinkelsteg	24,106
6	35619830	4	Ledbult	1,460
5	35619805	4	Ledaxel till kona Ø30	1,340
4	35619650	2	Parallellföring	11,777
3	35619649	1	Lyftarm Vänster	118,913
2	35619632	1	Lyftarm höger (drivsida)	119,012
1	35619620	1	Lyftsida/bakram	265,916

Pos	Art.nr.	Antal	Beskrivning	Material	Vikt (kg)																		
<table border="1" style="width: 100%;"> <tr> <td rowspan="2" style="text-align: center; vertical-align: middle;">A3</td> <td>Vikt (kg): 749,165</td> <td rowspan="2" style="text-align: center; vertical-align: middle;"></td> <td>General Tolerances acc to:</td> <td>File Name: 35619600.icd</td> <td>Last saved: 2026-06-16 07:39</td> </tr> <tr> <td>Scale: 1 : 18</td> <td>ISO 2768-1 medium</td> <td>Drawn by: LP</td> <td>Checked by: AP</td> <td>Approved by: AP</td> <td>Created Date:</td> </tr> <tr> <td colspan="3" style="text-align: center;"> Hybovägen 8 827 35 LJUSDAL Tel.+46-(0)651-12330 www.petterssonsmide.se </td> <td colspan="2" style="text-align: center; vertical-align: middle;">Kabeltrumgrip standard</td> <td>Sheet No: 2 (2) Rev: ... Doc. No: 35619600</td> </tr> </table>						A3	Vikt (kg): 749,165		General Tolerances acc to:	File Name: 35619600.icd	Last saved: 2026-06-16 07:39	Scale: 1 : 18	ISO 2768-1 medium	Drawn by: LP	Checked by: AP	Approved by: AP	Created Date:	 Hybovägen 8 827 35 LJUSDAL Tel.+46-(0)651-12330 www.petterssonsmide.se			Kabeltrumgrip standard		Sheet No: 2 (2) Rev: ... Doc. No: 35619600
A3	Vikt (kg): 749,165		General Tolerances acc to:	File Name: 35619600.icd	Last saved: 2026-06-16 07:39																		
	Scale: 1 : 18		ISO 2768-1 medium	Drawn by: LP	Checked by: AP	Approved by: AP	Created Date:																
 Hybovägen 8 827 35 LJUSDAL Tel.+46-(0)651-12330 www.petterssonsmide.se			Kabeltrumgrip standard		Sheet No: 2 (2) Rev: ... Doc. No: 35619600																		